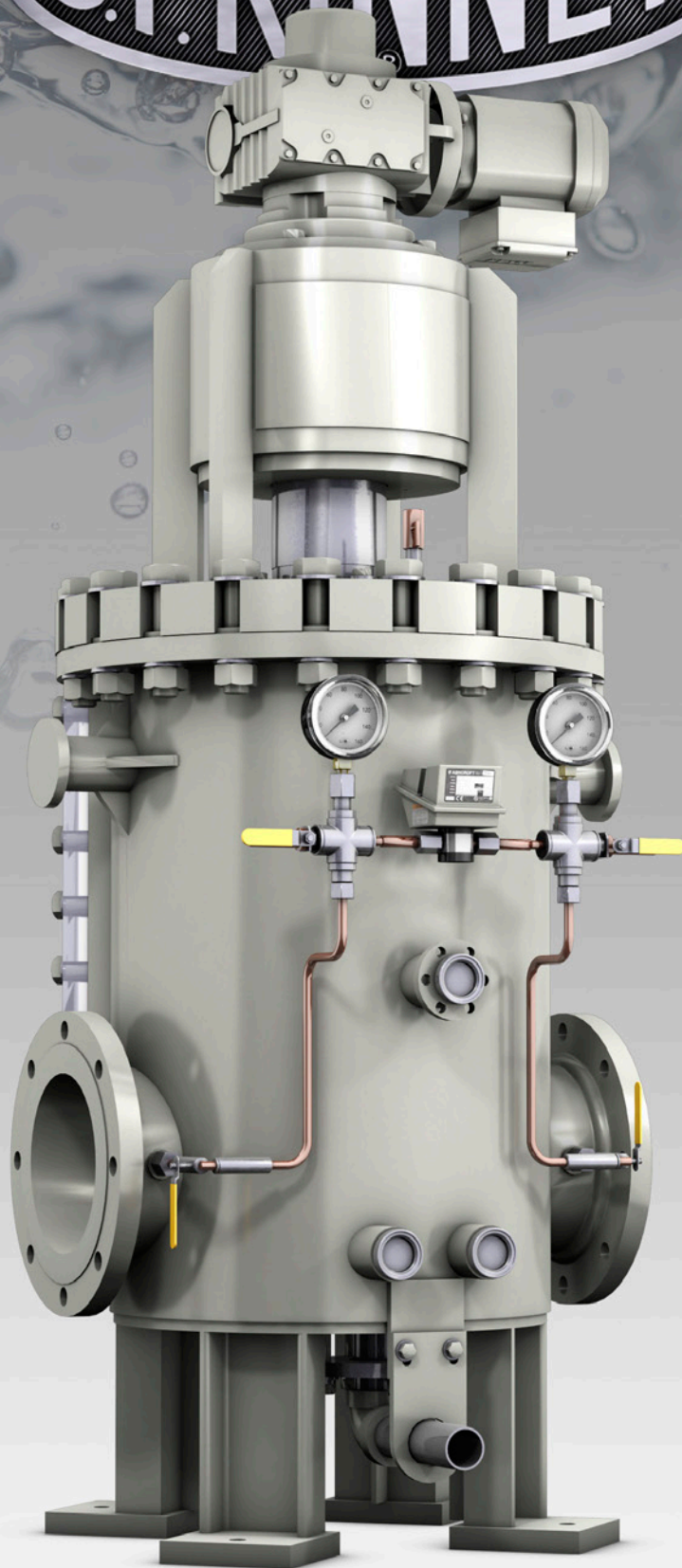


S.P. KINNEY



**automatic strainer**

**Model "AP" FABRICATED**

**Bulletin 512.1**

# S.P. KINNEY MODEL "AP" FABRICATED STRAINER

## APPLICATIONS

The Model "AP" is designed for continuous removal of suspended particles from all types of liquids. Applications are in industrial plants using river, lake, well, or sea water for cooling, descaling, bearing lubrication, spraying, quenching, and similar purposes.

Pipeline sizes: 2" - 42" or larger upon application. Liquids other than water, such as chemicals, acids, white water (paper mills), sewage, and ammonia flushing liquor (coke plants) can also be effectively strained.

## INSTALLATION

Used when working pressure is low. The strainer is compact - with small face-to-face, width, and height dimensions.

## DESIGN

The Model "AP" strainer consists of a conical drum with a number of threaded holes containing one of many types of straining media. The drum is supported on a rotating shaft fitted with bearings and is contained in a body having a vertical backwash slot opening. A pressure backwash shoe is inserted inside the drum, directly opposite the backwash slot.

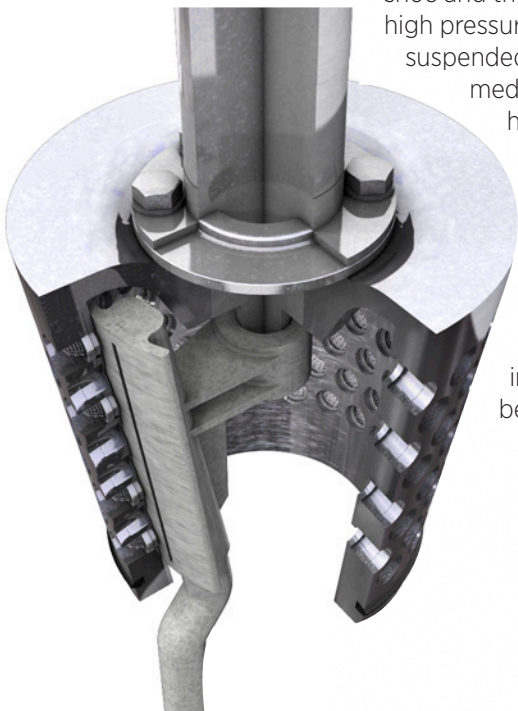
## OPERATION

The liquid to be strained enters the inlet connection located in the lower portion of the body and flows around the outer surface of the drum. The suspended particles are retained in the media pockets, and the clean liquid passes through the media to the inside and bottom opening of the drum. The clean water can then continue through the outlet connection located diametrically opposite the inlet.

## BACKWASH

High pressure liquid from the discharge side of the pump or from some other source is diverted to the backwash shoe. As each row of straining media passes between the backwash shoe and the backwash slot, the

high pressure liquid flushes the suspended particles from the media. The amount of high pressure liquid needed to effect proper backflushing is low and will vary, depending on the amount of suspended particles in the liquid being strained.



## AUTOMATIC BACKWASH CONTROL

In lieu of manually operated backwash valves, an automatic control can be furnished to permit intermittent backflushing. This control consists of electric or pneumatically operated ball valves (one at the backwash inlet and one at the backwash outlet), actuated by a timer or a pressure differential switch (or both).

## ADJUSTMENT AND SHEARING ACTION

The clearance between the backwash slot and the drum and the clearance between the drum and the backwash shoe is



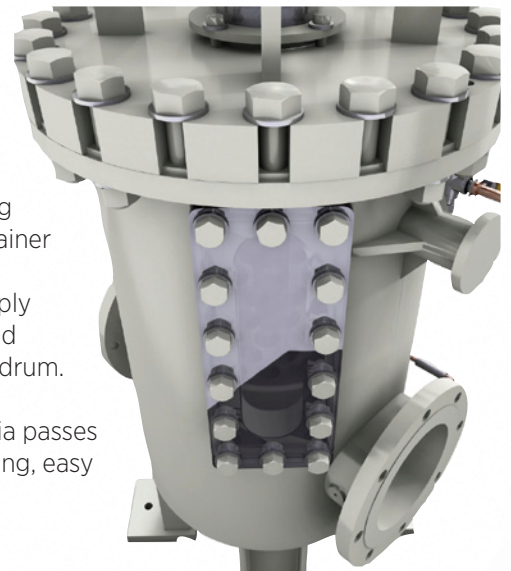
equal to or smaller than the opening presented in the media. Adjustment of the clearance between the backwash slot and the drum is accomplished by two locknuts on the threaded part of the top section of the shaft. The clearance between the drum and the backwash shoe is adjusted at the bottom of the backwash shoe.

The backwash slot contains a knife-like edge which enables the strainer to shear debris such as wood, shells, fish, and other suspended materials which may extend beyond the surface of the drum—with no resultant damage to the drum, straining media, or drive unit.

## INSPECTION

The Kinney Model "AP" strainer eliminates troublesome disassembly by providing an opening in the side of the strainer body. To inspect the straining media, simply remove the cover and manually rotate the drum.

As each row of media passes the inspection opening, easy access to the media is achieved.





## CUSTOM BUILT IN THE U.S.

All S.P. Kinney strainers are custom built to order in the United States using only the highest grade American steel.

## CALL TODAY

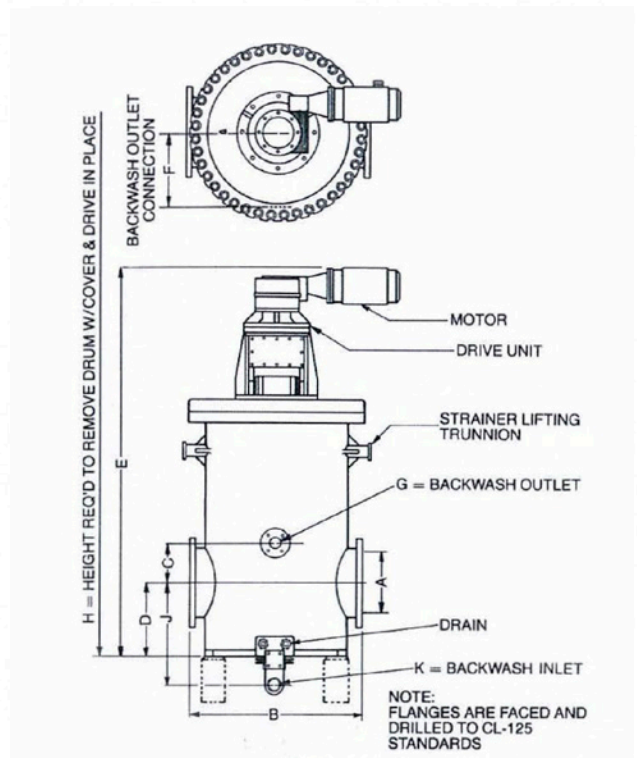
Call us today at 1-800-356-1118 or visit [www.spkinney.com](http://www.spkinney.com) to set up a free consultation.



MODEL "AP" FABRICATED												
STRAINER SIZE-AP	DIMENSIONS (inches)										MOTOR H.P.	APPROX. SHIP WT. LBS.
	B	C	D	E	F	G	H	J	K			
6	21	5	9	54.25	8.625	2	76.5	6.625	1.5	.75	1,240	
8	26	8	17	68.5	13	2	104.5	12.75	1.5	.75	1,700	
10	31	8.25	11	65	13.125	3	98.5	8.25	2	.75	2,600	
12	36	9.75	12.5	79.875	15	3	119.125	9.5	2	1	4,600	
14	41	10.5	14.5	81	17.125	4	81	9.625	2.5	1	5,650	
16	45	13.75	28	109	20.25	3	171.5	23	3	1.5	8,100	
20	52	15.5	31	120	24.25	4	190	25.625	4	1.5	10,000	
24	62	17.5	35	137	32.5	4	223.5	28	4	3	15,800	
30	72	23.5	43.5	156.5	32.75	6	256.5	35.5	6	3	19,850	
36	86	25.5	48	180	40	6	289	37.625	6	5	25,500	
42	90	27.5	54	184	39.625	6	311	40	6	5	31,000	

CONSTRUCTION				
PART	STANDARD	SEA WATER	WHITE WATER	AMMONIACAL LIQUOR
Body	Epoxied Steel	Stainless Steel	Stainless Steel	Steel
Drum	Cast Iron	Ni-Resist	Stainless Steel	Cast Iron
Media	As Specified	As Specified	As Specified	As Specified
Media Retainers	Delrin	Stainless Steel	Delrin	Stainless Steel
Shaft	Steel	Stainless Steel	Stainless Steel	Ductile Iron
Backwash Shoe	Cast Iron	Aluminum Bronze	Stainless Steel	Cast Iron

\*Dimensions provided above are for reference only. Actual dimensions shall be provided on certified drawings when order is placed.  
 \*\*Additional sizes and variations may be available for custom builds. Please call for information.





**S.P. KINNEY ENGINEERS, INC.**

143 FIRST AVE. P.O. BOX 445, CARNEGIE, PA 15106-0445, USA

**PHONE: 1-800-356-1118**

FAX: (412) 276-6890

[WWW.SP KinNEY.COM](http://WWW.SP KinNEY.COM)

[INFO@SP KinNEY.COM](mailto:INFO@SP KinNEY.COM)